

DISCOUNT LEVEL A

Model	Duration	Battery	Lumens	Light source	€
Non-maintained:					
Nova LD N1	1 h	Ni-Cd	70	ILM _{LED}	-----
Nova LD N2	1 h	Ni-Cd	100	ILM _{LED}	-----
Nova LD N3	1 h	Ni-Cd	150	ILM _{LED}	-----
Nova LD N5	1 h	Ni-Cd	250	ILM _{LED}	-----
Nova LD N6	1 h	Ni-Cd	320	ILM _{LED}	-----
Nova LD N8	1 h	Ni-Cd	435	ILM _{LED}	-----
Nova LD N11	1 h	Ni-Cd	550	ILM _{LED}	-----
Nova LD 2N5	2 h	Ni-Cd	230	ILM _{LED}	-----
Nova LD 3N4	3 h	Ni-Cd	160	ILM _{LED}	-----
Nova cold stores: (1)					
Nova LD N3 FR20	1 h	Ni-Cd	150	ILM _{LED} from -20° to 0°	-----
Nova LD N3 FR40	1 h	Ni-Cd	150	ILM _{LED} from -40° to -20°	-----
Nova LD N8 FR20	1 h	Ni-Cd	435	ILM _{LED} from -20° to 0°	-----
Nova LD N8 FR40	1 h	Ni-Cd	435	ILM _{LED} from -40° to -20°	-----

Model	Duration	Battery	Lumens	Light source	€
Maintained:					
			Emerg. Lum.		
Nova LD P3	1 h	Ni-Mh	90 90	ILM _{LED}	-----
Nova LD P6	1 h	Ni-Mh	240 300	ILM _{LED}	-----
Nova LD 2P3	2 h	Ni-Mh	90 90	ILM _{LED}	-----
Nova LD 2P6	2 h	Ni-Mh	240 300	ILM _{LED}	-----
Nova LD 3P3	3 h	Ni-Mh	90 90	ILM _{LED}	-----
Nova LD 3P6	3 h	Ni-Mh	240 300	ILM _{LED}	-----

Nova A
Nova TCA

Specifically for Self-test
Specifically for Self-test and DaisaTest System.

Includes microprocessor for Self-test mode operation A or DaisaTest centralised management system TCA
Fill out the reference with A or TCA depending on the model. TEV test control unit for Nova TCA: See page 117
Example of order: Nova LD N2 A / Nova LD N2 TCA

Model	Duration	Battery	Lumens	Light source	A €	TCA €
Non-maintained:						
Nova LD N2 <input type="checkbox"/>	1 h	Ni-Mh	100	ILM _{LED}	-----	-----
Nova LD N3 <input type="checkbox"/>	1 h	Ni-Mh	150	ILM _{LED}	-----	-----
Nova LD N5 <input type="checkbox"/>	1 h	Ni-Mh	220	ILM _{LED}	-----	-----
Nova LD N6 <input type="checkbox"/>	1 h	Ni-Mh	320	ILM _{LED}	-----	-----
Nova LD N8 <input type="checkbox"/>	1 h	Ni-Mh	435	ILM _{LED}	-----	-----
Nova LD 2N5 <input type="checkbox"/>	2 h	Ni-Mh	255	ILM _{LED}	-----	-----
Nova LD 3N4 <input type="checkbox"/>	3 h	Ni-Mh	200	ILM _{LED}	-----	-----

Model	Duration	Battery	Lumens	Light source	A €	TCA €
Maintained:						
			Emerg. Lum.			
Nova LD P3 <input type="checkbox"/>	1 h	Ni-Mh	90 90	ILM _{LED}	-----	-----
Nova LD P6 <input type="checkbox"/>	1 h	Ni-Mh	240 300	ILM _{LED}	-----	-----
Nova LD 2P3 <input type="checkbox"/>	2 h	Ni-Mh	90 90	ILM _{LED}	-----	-----
Nova LD 2P6 <input type="checkbox"/>	2 h	Ni-Mh	240 300	ILM _{LED}	-----	-----
Nova LD 3P3 <input type="checkbox"/>	3 h	Ni-Mh	90 90	ILM _{LED}	-----	-----
Nova LD 3P6 <input type="checkbox"/>	3 h	Ni-Mh	240 300	ILM _{LED}	-----	-----

Nova DALI

Specifically for DALI System

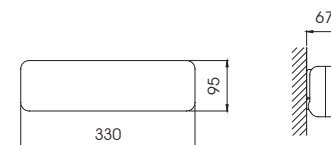
Models for the DALI system are available. By arrangement with the factory.

Nova Luminaire

DOES NOT INCLUDE BATTERY
Luminaire specific function

Model	Power supply	Lumens	Light source	€
Nova LD L3	See power supply	90	ILM _{LED}	-----
Nova LD L8	See power supply	320	ILM _{LED}	-----

Nova Surface
Nova



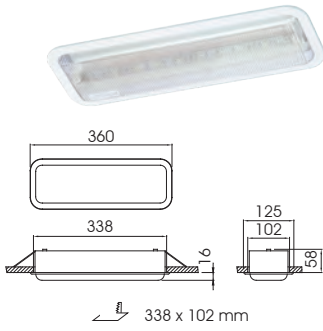
Operation, shared data and notes:

The emergency luminaires equipped with Ni-Mh battery technology include a pulse-load microprocessing system that enables an important reduction of energy consumption.

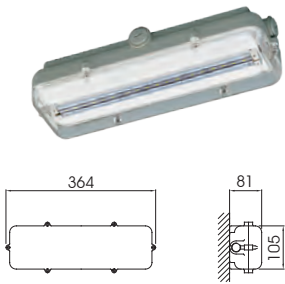
(1) Includes watertight housing with IP66 IK08 protection rating.

Built to the EN 60598-2-22 (IEC 60598-2-22) standard. Protection rating: IP44 IK04.

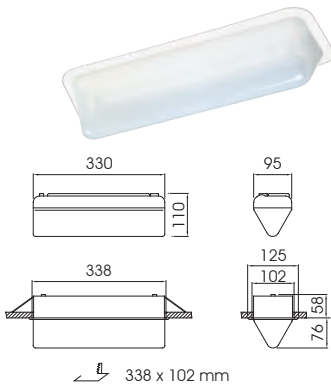
Nova Recessed
Nova + KEB Nova



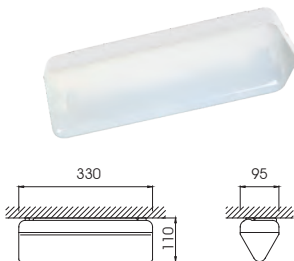
Nova Watertight
Nova + KES Nova



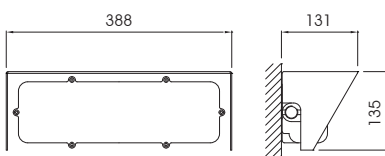
Nova biplane recessed
Nova + KBO Nova + KEB Nova



Nova biplane
Nova + KBO Nova



KPI Nova
KPI



■ Finishes

DISCOUNT LEVEL A

Finish of	Description	Marking	Incr. €
Colour	White (as standard) Black	----- (N)	----- -----
Power supply:			
Self-contained	220-230V 50/60Hz 110-127V 50/60Hz	----- (110-127V)	----- -----
Luminaires	110-240V 50/60Hz, 170-320V DC 24V 50/60Hz, 18-30V DC	----- (24V)	----- -----

■ Accessories

Product reference	Description	Diagram	Resulting flux	€
KEB Nova KEN Nova	Recessed mounting box. White Recessed mounting box. Black Suitable for installation in (hollow) panel ceilings/walls made of plaster, wood, sheet metal, plasterboard...		88% 88%	----- -----
KTDM Nova	Kit for recessed mounting boxes (KEB y KEN) in metallic ceilings with inspection access.		-----	-----
KTLE Nova	Kit that complements the KTDM Nova kit to support the luminaire on profiles.		-----	-----
KES Nova	Watertight housing IP66 IK08 Suitable for outdoor use under roofs		105%	-----
KPI Nova	Stainless steel all-weather protection kit. Kit that complements the KES NOVA watertight housing for all-weather installation		-----	-----
KBO Nova KBT Nova	Opal double-sided diffuser Transparent double-sided diffuser		96% 107%	----- -----

Ref.	Description	Resulting flux	€																								
RTD...	Emergency signs. (Adhesives) RTD: 140x70 mm, RTD0136: 70x70 mm Complies with the EN ISO 7010 standard Customised signs and emergency signs supplied to order.	50%	-----																								
	<table border="0"> <thead> <tr> <th>Description</th> <th>Product reference</th> <th>Description</th> <th>Product reference</th> <th>Description</th> <th>Product reference</th> </tr> </thead> <tbody> <tr> <td></td> <td>RTD0128</td> <td></td> <td>RTD0131</td> <td></td> <td>RTD0134</td> </tr> <tr> <td></td> <td>RTD0129</td> <td></td> <td>RTD0132</td> <td></td> <td>RTD0135</td> </tr> <tr> <td></td> <td>RTD0130</td> <td></td> <td>RTD0133</td> <td></td> <td>RTD0136</td> </tr> </tbody> </table>	Description	Product reference	Description	Product reference	Description	Product reference		RTD0128		RTD0131		RTD0134		RTD0129		RTD0132		RTD0135		RTD0130		RTD0133		RTD0136		
Description	Product reference	Description	Product reference	Description	Product reference																						
	RTD0128		RTD0131		RTD0134																						
	RTD0129		RTD0132		RTD0135																						
	RTD0130		RTD0133		RTD0136																						