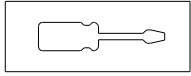
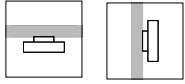
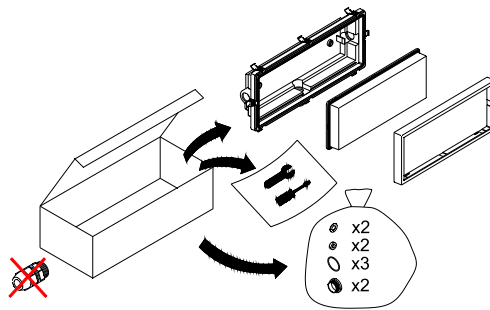
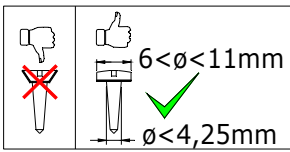
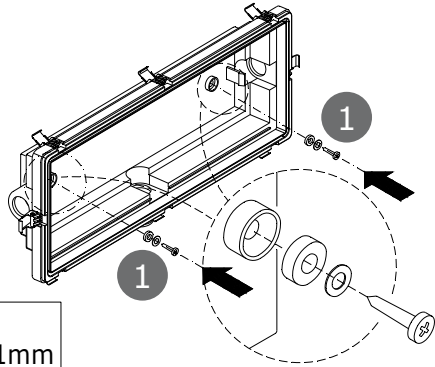


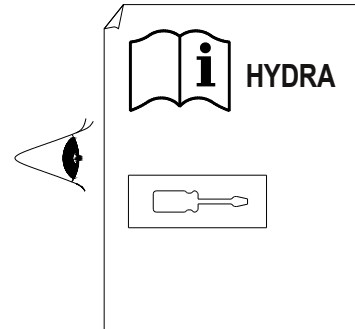
# KES HYDRA



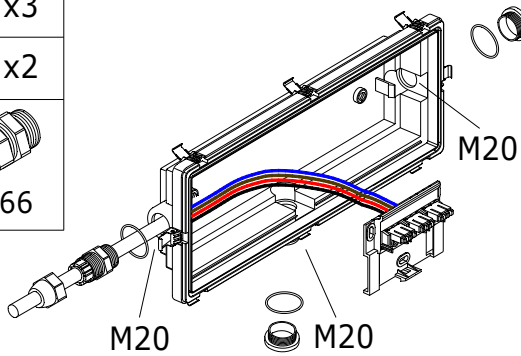
- 1** x2  
 x2



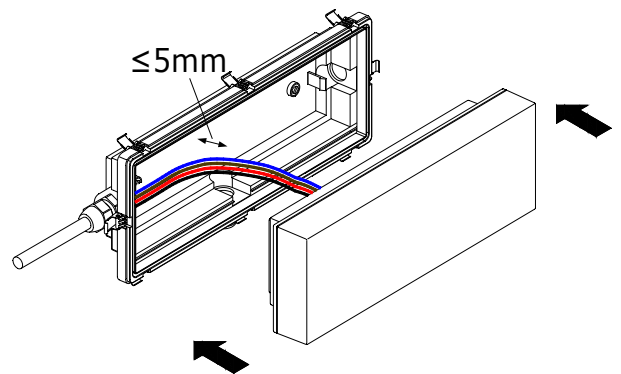
**2**



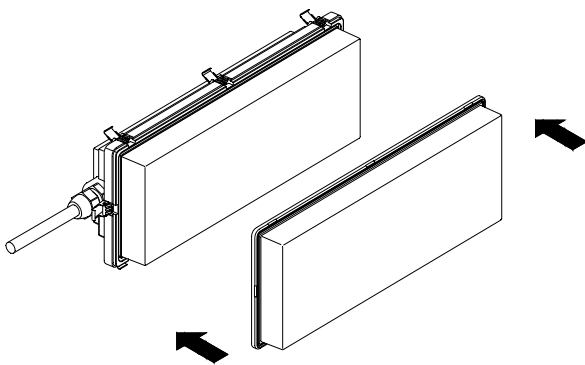
- 3** x3  
 x2  
 $\geq \text{IP66}$



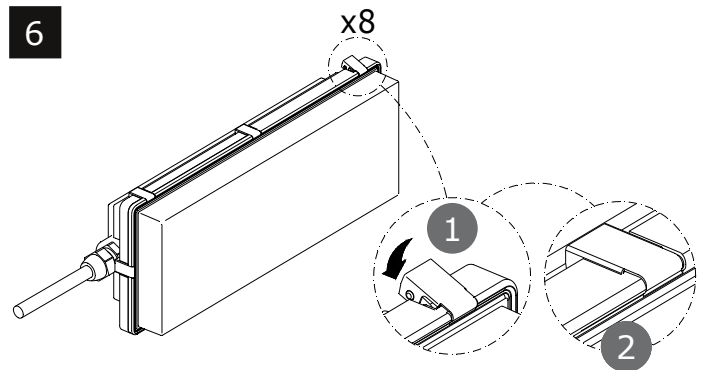
**4**



**5**



**6**



**7**

